

FENDT

fendt.com | Fendt is a worldwide brand of AGCO.

FENDT MOMENTUM PLANTER



THE FENDT® MOMENTUM® PLANTER
Every acre, every plant, every seed.
Fendt Momentum makes everything count.

FENDT MOMENTUM PLANTER



Momentum® Model	FTPM16	FTPM24	FTPM31	FTPM32	FTPM36	FTPM47	FTPM48
# of Rows	16	24	31	32	36	47	48
Row Spacing	30"	20", 22", 30"	15"	15"	20", 22"	15"	15"



Controlling what we can of the seed's growing environment pays off in yield and increased profits. By maximizing performance and efficiency and reducing risk, you can achieve better yields with less time and expense. Momentum® pairs powerful technology with practicality to give you greater control of the planting process. Momentum is designed to get the seed in the right place and correct environment, maximizing its yield potential, by managing four key elements:

- Delivering high performance
- Reducing risk to that performance
- Implementing an easy-to-use, efficient, row-by-row operating system
- Responding to challenges as they arise in the planting operation

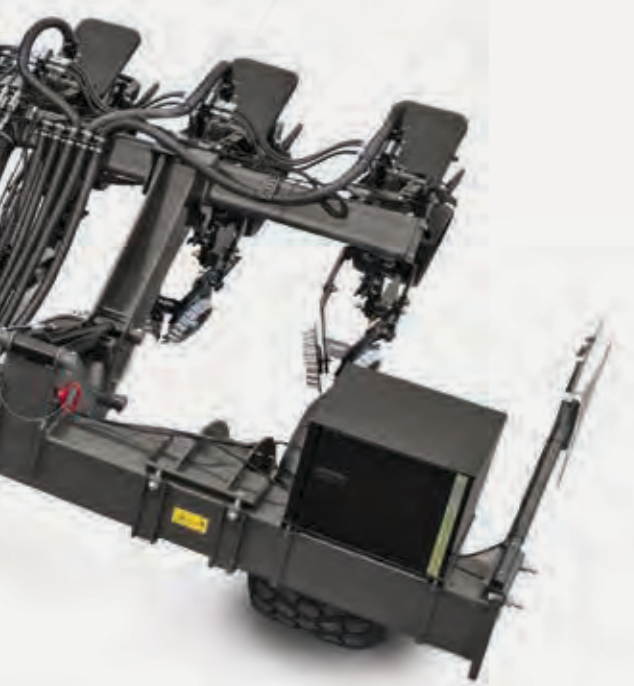
FENDT MOMENTUM PLANTER








Fendt Momentum Spotlights


These are unique innovations that help deliver greater value to your operation—every field, every acre, every seed, everyday.





-  **Load Logic™ Weight Management System**
 - Smart cylinders that transfer weight across the frame
 - Smart Spindles that measure weight and load on all tires
 - Automatic tire pressure inflation and deflation

-  **In-line Center Tandem Design**
 - Follows tractor path
 - Eliminates pinch rows

-  **Capacity**
 - 130 bushel seed tanks
 - Optional 1,000 gallon liquid fertilizer
 - Optional 170 ft³ dry fertilizer

-  **Vertically Contouring Toolbar (VCT)**
 - Up to 68" of toolbar vertical travel

-  **Integrated Precision Planting**
 - Vset2®, vDrive®, DeltaForce™, Conceal®, and 20/20 SeedSense® Display

-  **Gold Star Customer Care**
 - 3 year full machine warranty PLUS annual inspections
 - Parts Assurance Program

Make a big impact, without leaving one.

FENDT MOMENTUM PLANTER



Your chance to maximize yield potential starts in the furrow. Studies show that compaction at the time of planting can reduce yield potential by as much as 6 bu. per acre.*

The Fendt Momentum planter—equipped with Load Logic—provides you with a solution to the compaction issues that are otherwise created in non-optimal conditions.

Fendt Momentum's Load Logic system automatically transfers weight off the row units of the planter by lifting and adjusting the planter frame to minimize row unit downforce.

The system also transfers weight from the center frame to the wings based on the selected operating mode.

The system has two automatic modes of operation: Load Balance, which distributes weight across the entire frame, or Controlled Traffic, which shifts compaction pressure to follow the tractor path.

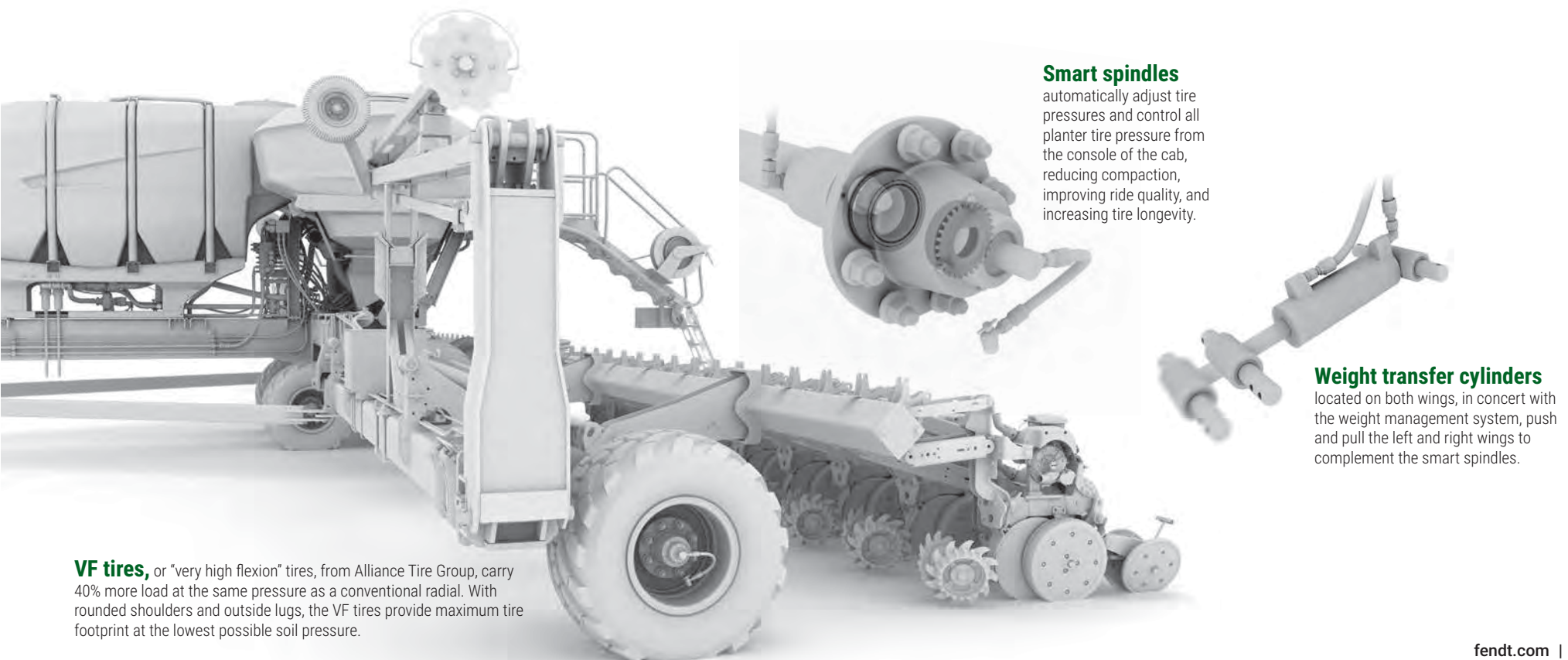
The tire inflation system is part of the Load Logic weight management system. Various sensors help automatically adjust the tire pressure.

* 2020-2021 Precision Planting Training Institute (PTI) planter compaction comparison study. Momentum FTPM16-30 equipped with the Load Logic™ compared to a JD 1770NT built with the exact specifications of Yetter residue managers with CleanSweep®, Dual Band Conceal®, FurrowForce®, vSet®, vDrive® and DeltaForce® configurations planted in the same field, with the same hybrid on the same day.

2021 Ohio State University planter compaction comparison study. FTPM16-30 with Load Logic compared to a John Deere 1775NT with equivalent specifications planted in the same field, with the same hybrid on the same day.

What's \$99,000 worth to you?

- 3,000 acre farm
- \$5.50 per bu. corn
- 6 bu. per acre yield advantage due to compaction =
an additional **\$99,000** in revenue to your operation



VF tires, or "very high flexion" tires, from Alliance Tire Group, carry 40% more load at the same pressure as a conventional radial. With rounded shoulders and outside lugs, the VF tires provide maximum tire footprint at the lowest possible soil pressure.

Smart spindles

automatically adjust tire pressures and control all planter tire pressure from the console of the cab, reducing compaction, improving ride quality, and increasing tire longevity.

Weight transfer cylinders

located on both wings, in concert with the weight management system, push and pull the left and right wings to complement the smart spindles.

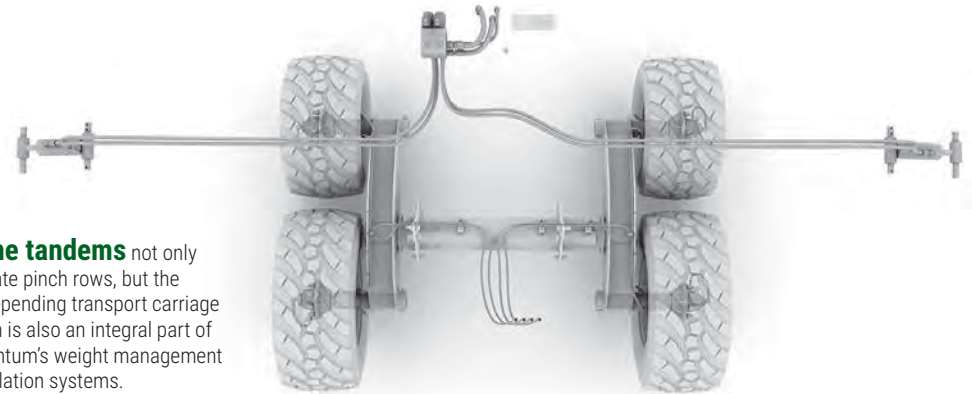
Don't pinch your profitability.



FENDT MOMENTUM PLANTER

Reducing Compaction

Planter compaction studies have shown up to a 30% yield loss, from pinch row (rows planted between highly loaded/inflated side-by-side dual-wheel configurations), to rows planted between highly loaded/inflated side-by-side dual-wheel configurations.* Momentum's VF tires and in-line tandem configuration with single outer wing wheels eliminates pinch rows, allowing you to recapture that lost yield.



In-line tandems not only eliminate pinch rows, but the patent-pending transport carriage system is also an integral part of Momentum's weight management and inflation systems.

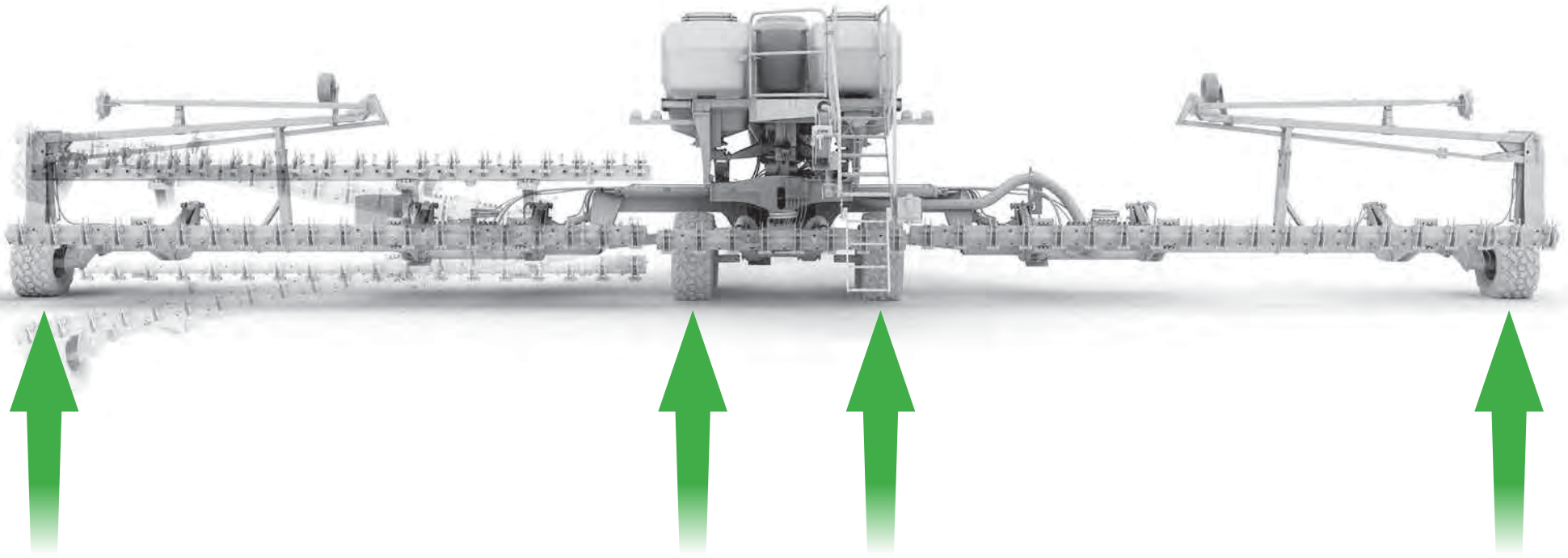


Pinch rows on competitors' planters can affect up to 12 rows, in addition to tractor-affected rows across a 24-row planter. The row below will show decreased yield.

* 2020-2021 Precision Planting Training Institute (PTI) planter compaction comparison study. Momentum FTPM16-30 equipped with the Load Logic™ compared to a JD 1770NT built with the exact specifications of Yetter residue managers with CleanSweep®, Dual Band Conceal®, FurrowForce®, vSet®, vDrive® and DeltaForce® configurations planted in the same field, with the same hybrid on the same day.

2021 Ohio State University planter compaction comparison study. FTPM16-30 with Load Logic compared to a John Deere 1775NT with equivalent specifications planted in the same field, with the same hybrid on the same day.

In-line tandem.



Follows tractor tire path

Total impacted rows = **6**

Total Pinch Rows = **0**

Uncompromised productivity.



Covering more acres in less time shouldn't mean you need to compromise in other areas of your operation, and with the Fendt Momentum planter you won't. That's because Momentum features twin 65-bushel seed tanks for a total of 130-bushel seed capacity. Momentum offers both high-capacity liquid and dry fertilizer options directly from the factory. The optional liquid system features a 1,000 gallon on board tank and an optional dry fertilizer system of 170 cubic feet capacity.

Despite its higher capacity, Momentum doesn't create additional, undo compaction. In fact, 2 years of independent field trials have demonstrated that Momentum still achieves a 6 bu./acre yield advantage despite its higher carrying capacity.* This is the result of its innovative Load Logic weight management system paired with its higher capacity.

* 2020-2021 Precision Planting Training Institute (PTI) planter compaction comparison study. Momentum FTPM16-30 equipped with the Load Logic™ compared to a JD 1770NT built with the exact specifications of Yetter residue managers with CleanSweep®, Dual Band Conceal®, FurrowForce®, vSet®, vDrive® and DeltaForce® configurations planted in the same field, with the same hybrid on the same day.

2021 Ohio State University planter compaction comparison study. FTPM16-30 with Load Logic compared to a John Deere 1775NT with equivalent specifications planted in the same field, with the same hybrid on the same day.



EXAMPLE:

- Farm using a 500 gallon liquid fertilizer system on their planter
- 3,000 acres covered
- @10 gallons per acre, that planter will stop approximately 60 times to refill, OR nearly 24 hours throughout the season just refilling



Twin 65-bushel seed tanks for a total of 130-bushel capacity and is easily accessed with a wide platform.



The optional 1,000-gallon liquid fertilizer system allows you to spend more time planting and less time refilling. The optional factory installed Conceal system provides accurate fertilizer placement.



The optional dry fertilizer system features 170 cu. ft. of capacity and is conveniently located on the planter tongue.

EXAMPLE:

- Farm using the Fendt Momentum planter with 1,000 gallon liquid fertilizer system
- 3,000 acres covered
- @10 gallons per acre, the planter will stop approximately 30 times to refill
- This saves you over **10 hours** of refill time during the busy planting season



99%+ accuracy with Precision Planting[®].



FENDT MOMENTUM PLANTER

Manage every row unit individually in real time to provide greater accuracy. The Fendt Momentum planter features the latest innovations from Precision Planting[®] integrated right from the factory. This means you're achieving 99%+ accuracy all the time while minimizing root zone compaction.

The system intelligently places seed according to your desired population while compensating for turns and overlaps. vSet2/vDrive meters are unsurpassed in accuracy, simplicity and durability. The DeltaForce hydraulic downforce system intelligently applies individual row unit down force for optimum seed depth, without undo compaction.



Monitor

High-definition data enables high-impact decisions. The new 20|20® monitor provides the most advanced agronomic picture you've ever seen. Optimize planting, harvest and application decisions with a smart, intuitive interface that visualizes performance and field conditions in real time.



DeltaForce™

DeltaForce™, the most accurate row-by-row down force system, features hydraulic cylinders and load cells that measure how much weight is being carried on the row unit gauge wheels and keep it consistent. The operator sets a weight that should be carried on the gauge wheels, and DeltaForce does the rest, maintaining the same weight on the gauge wheels of every row, or across different fields or variations within a field. With DeltaForce, the hidden yield loss from compaction is eliminated, and each row is planted at the depth that was set.



vSet2®

vSet2® with vDrive provides perfect singulation. By using a flat disk, it doesn't have a cell with a "preference" for a certain seed size. The flat disk, combined with a singulator riding on the edge of the disk knocking off extra seeds, gives you 99% singulation accuracy in corn and soybeans without adjustments to vacuum, disk or singulator.



SpeedTube®

SpeedTube® combines with other systems from Precision Planting to create a high-speed planting system that ensures that as you speed up, yield potential is not going down. SpeedTube uses a flighted belt to control the descent of the seeds into the seed trench, and they don't tumble in the furrow because the seed release is matched to ground speed.



Conceal®

Conceal® is a simple nutrient placement device from Precision Planting that places fertilizer in a band incorporated into the soil so the plant will be able to get those nutrients during the critical ear set stage. Conceal can be utilized to put either a single or dual band of nutrients down beside the row. Conceal is a combination of a gauge wheel which has a groove in it, and a knife running in the groove.



SRM 3 Single Row Module

The SRM3 and Can Extension Hub enables plug-and-play additions of Precision Planting's most popular products such as SmartFirmer, FlowSense, Conceal, FurrowForce and others. Also, each row unit is factory-equipped with the Quick-Attach brackets for SeedFirmers and FurrowForce applicators.



FurrowForce®

The all new FurrowForce® from Precision Planting is an automated row-by-row control system that provides visibility to closing performance on a 20|20 display in the cab. FurrowForce uses two stages to both close the furrow and manage soil density. The first stage pinch wheels are set wider than traditional systems and move soil horizontally to remove air gaps. Following are the second stage stitch wheels that create the proper soil density for moisture retention and speedy germination.



SmartFirmer®

Precision Planting's SmartFirmer® is a seed-firmer sensor that is measuring the furrow as it is firming each seed into the bottom of the trench. SmartFirmer helps you know that the environment that the seed is being placed in is in good shape, but can also help you determine what type of variability you may have in your field. SmartFirmer measures and displays soil moisture in the cab so you can make adjustments to get seeds into adequate moisture.



CleanSweep®

CleanSweep® allows you to make row cleaner adjustments from the cab, eliminating the frustration of getting row cleaners set, saving you time while planting.

Available as an aftermarket option from a certified Precision Planting dealer.

The ultimate risk manager.



GOLD STAR
CUSTOMER CARE

Fendt's Gold Star Customer Care program helps you manage your variable expenses and your risk. You've invested in the best technology in the industry with Fendt, and we're invested in ensuring your productivity, profitability, and overall experience is the best it can be as well.

- **3-Year, Full Machine Warranty***
- **Annual Planter Inspection**
- **\$0 Deductible**
- **Parts Assurance Program**—additional dealer parts stocking in season.

**Or 6,500 acres on 40' models, 10,000 acres on the 60' models.*



Fendt Momentum Specifications

	FTPM16-30	FTPM24-20	FTPM24-22	FTPM31-15	FTPM32-15	FTPM24-30	FTPM36-20	FTPM36-22	FTPM47-15	FTPM48-15
Rows / spacing in. (cm)	16R 30 (76.2)	24R 20 (50.8)	24R 22 (55.88)	32R 15 (38.1)	32R 15 (38.1)	24R 30 (76.2)	36R 20 (50.8)	36R 22 (55.88)	48R 15 (38.1)	48R 15 (38.1)
Hitch on planter	2-pt or drawbar									
Metering units	vSet2 / vDrive®									
Seed tube options	WaveVision® or SpeedTube®						WaveVision			
CFS capacity bu. (L)	130 (4,581)									
Liquid fertilizer gal. (L)	1,000 (3,785.4)									
Est. weight (empty) lbs. (kg.)	23,000 (10,433)	26,000 (11,793)	26,000 (11,793)	29,000 (13,154)	29,000 (13,154)	29,000 (13,154)	34,000 (15,422)	34,000 (15,422)	38,000 (17,237)	38,000 (17,237)
Transport width ft. (m)	12 (3.65)									
Transport height ft. (m)	12 (3.65)									
Est. tongue weight lbs. (kg)	8,000 (3,629)	9,000 (4,082)	9,000 (4,082)	10,000 (4,536)	10,000 (4,536)	10,000 (4,536)	11,500 (5,216)	11,500 (5,216)	13,000 (5,897)	13,000 (5,897)
Tractor HP	5 MPH	8–12 HP per row								
	10 MPH	10–20 HP per row								
Hydraulic requirements GPM (LPM)	35–60 (132–227)									



FENDT

fendt.com | Fendt is a worldwide brand of AGCO.



FENDT MOMENTUM PLANTER

 **AGCO ANSWERS**
Your Agriculture Company | (877) 525-4384 AGCOanswers@AGCOcorp.com

AGCO may at any time, and from time to time, for technical or other necessary reasons, modify any of the data, specifications or warranty of the products described herein. Some equipment shown may be optional. Attention: Photographs in this publication may show protective shields and guards open or removed for the purposes of illustration. Be certain all shields and guards are in place during operation.

© 2022 AGCO Corporation. Fendt is a worldwide brand of AGCO Corporation. AGCO®, Fendt® and Momentum® are trademarks of AGCO. Bluetooth® is a trademark of Bluetooth SIG, Inc. All rights reserved. FT22B002AGv03